

14 Inch Platform Bed

EN

 **WARNING**

Do not exceed the maximum recommended weight capacity of 1,000 lbs. for Twin, Twin XL and 2,000 lbs. for Full/Queen/King/Cal King. Exceeding the loading weight capacity may result in collapse and possible injury.

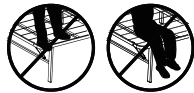
LIMITED FIVE (5) YEAR WARRANTY

Warranty available to original purchaser only. Proof of purchase is required. This warranty is your sole remedy for product defects only and does not cover damage due to mishandling, misuse or abuse. The defects include circumstances where the frame has broken under normal use and no longer performs its function. The manufacturer is not responsible for incidental or consequential damages. This warranty gives you specific legal rights and you may also have other rights which vary from state to state.

Your complete satisfaction is our number one priority. Our product is designed and manufactured to meet the highest quality standards. In the event that you have assembly questions, or parts are missing or damaged, please let us know before you decide to return your product to the store.

Our customer service department would appreciate the opportunity to provide information regarding assembly and to provide any necessary parts. For warranty claims please contact Purple at 888-848-8456.

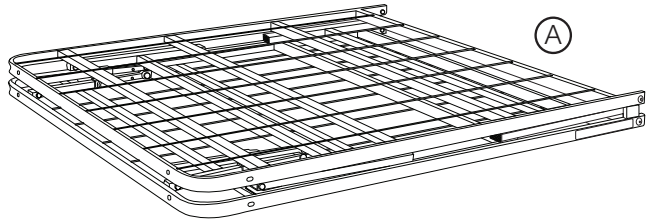
Thank you for purchasing our products.
Purple Innovation, LLC
Printed in China

**WARNING**

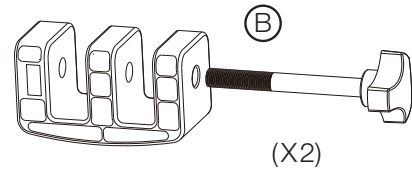
**THIS IS ONLY INTENDED FOR USE WITH A MATTRESS.
DO NOT SIT, STAND OR PLACE ANYTHING ON THE
EDGE OF THIS PLATFORM WITHOUT A MATTRESS.**

**WATCH FOR PINCH POINTS!!**

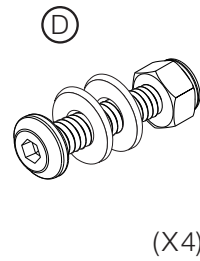
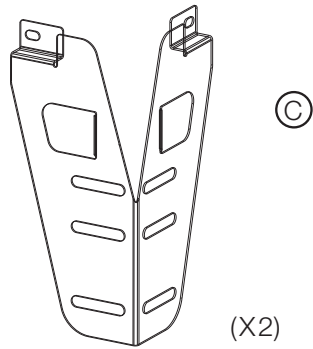
PARTS



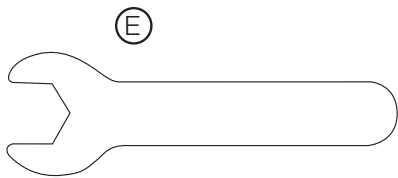
Twin, Twin XL (X1)
Full, Queen, King, Cal King (X2)



Only available for Full, Queen, King, Cal King



HARDWARE

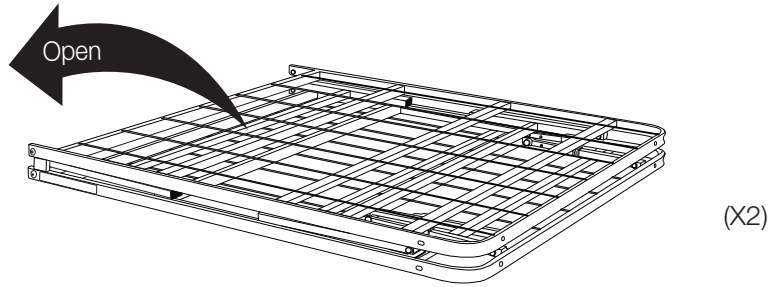


(X1)



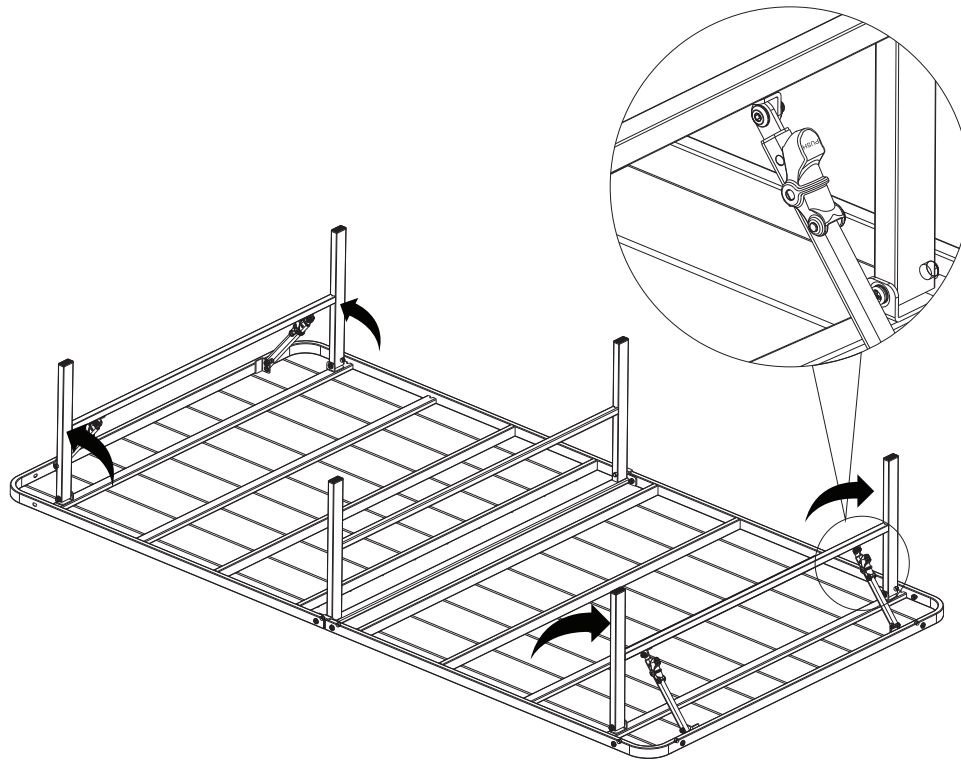
(X1)

Step 1

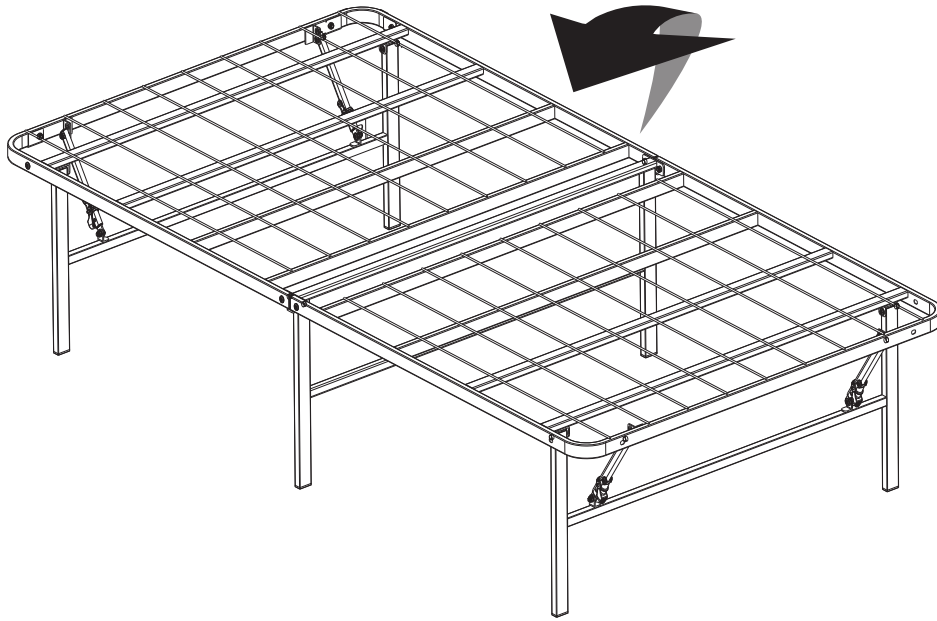


Twin and Twin XL has only one base.

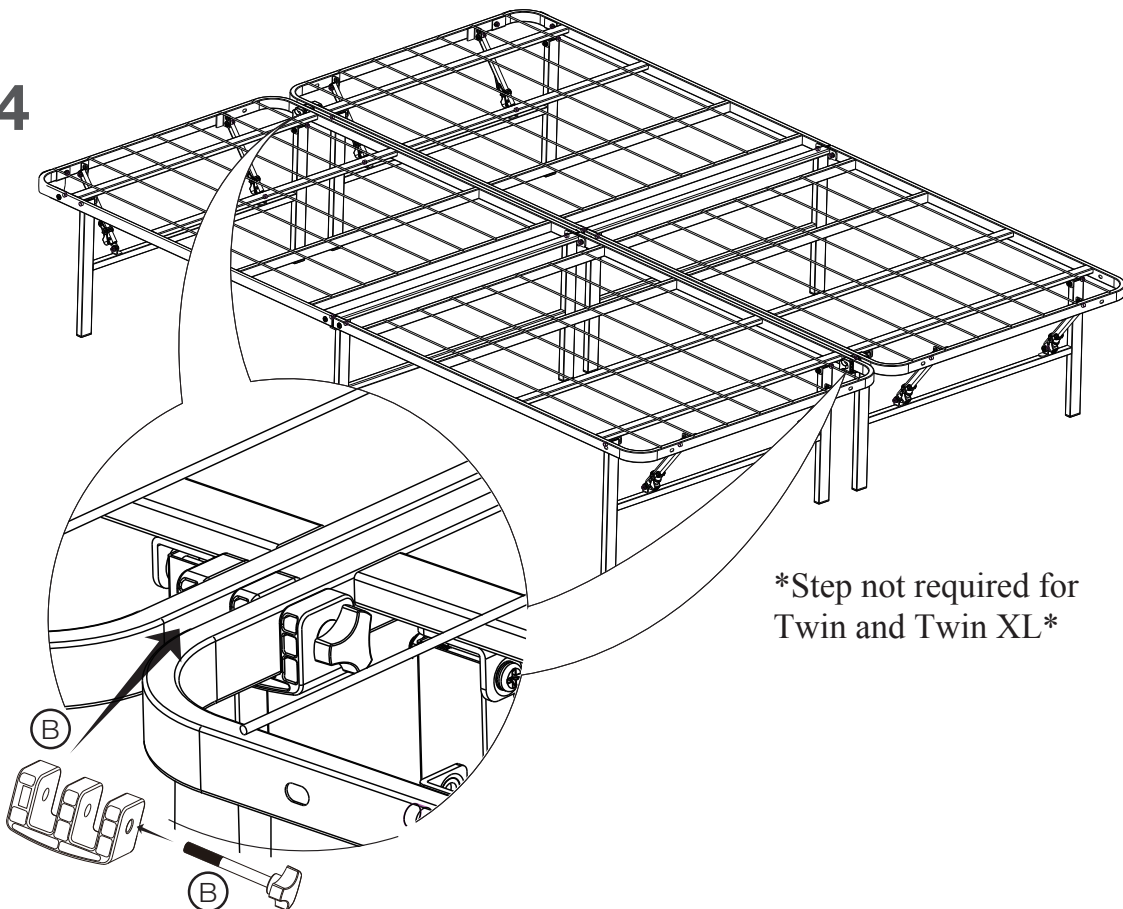
Step 2



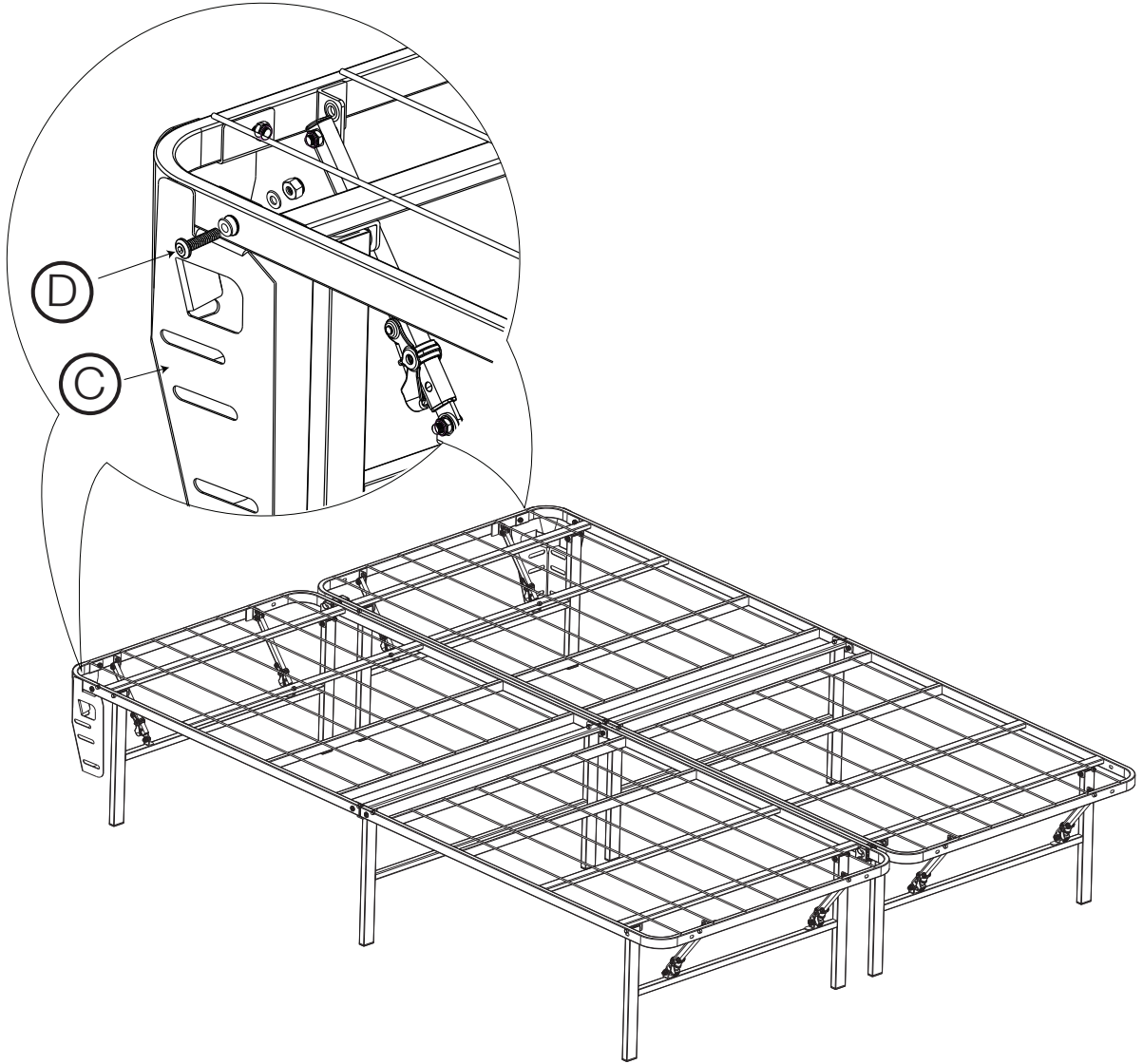
Step 3



Step 4



Step 5



purple

Visit purple.com/platform for more details.

